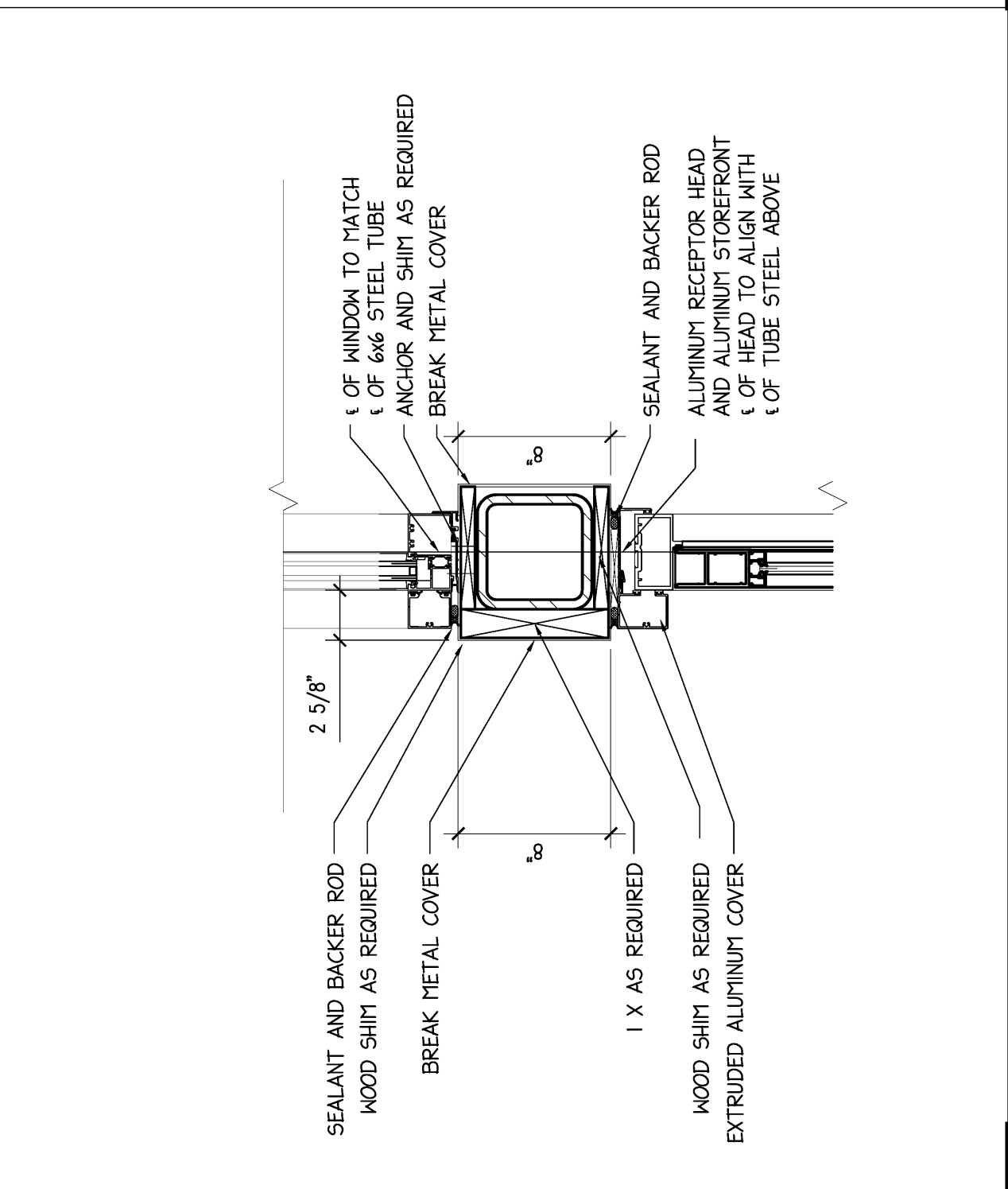


12 HEAD DETAIL W13 18\"/>

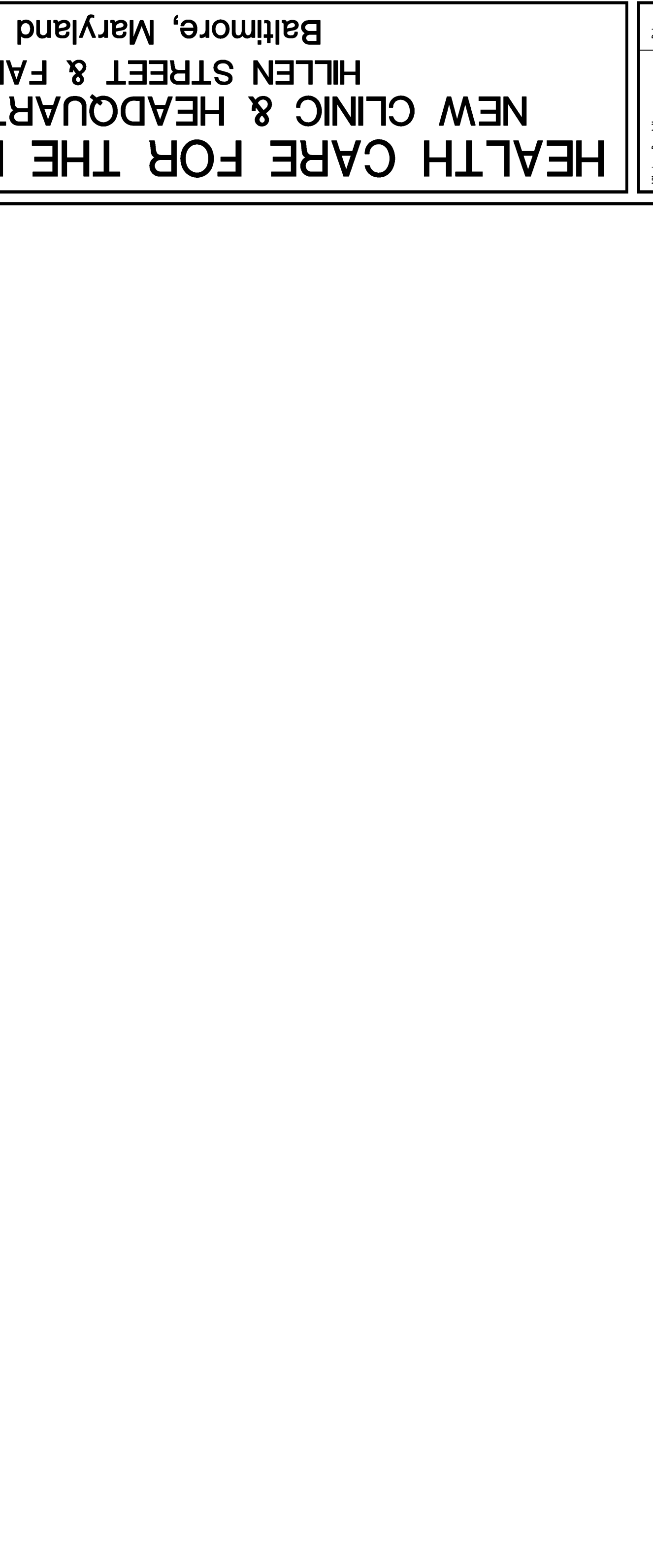
These drawings are the property of the
 client and are to be used only for the
 project for which they were prepared.
 No part of these drawings may be
 reproduced, stored in a retrieval system,
 or transmitted in any form or by any
 means, electronic, mechanical, photocopying,
 recording, or by any information storage
 and retrieval system, without the prior
 written permission of the architect.
 While dimensions on these drawings shall
 govern, the contractor shall be responsible
 for all dimensions and conditions on the
 job. The contractor shall be responsible
 for any variation from the dimensions and
 conditions shown by these drawings.



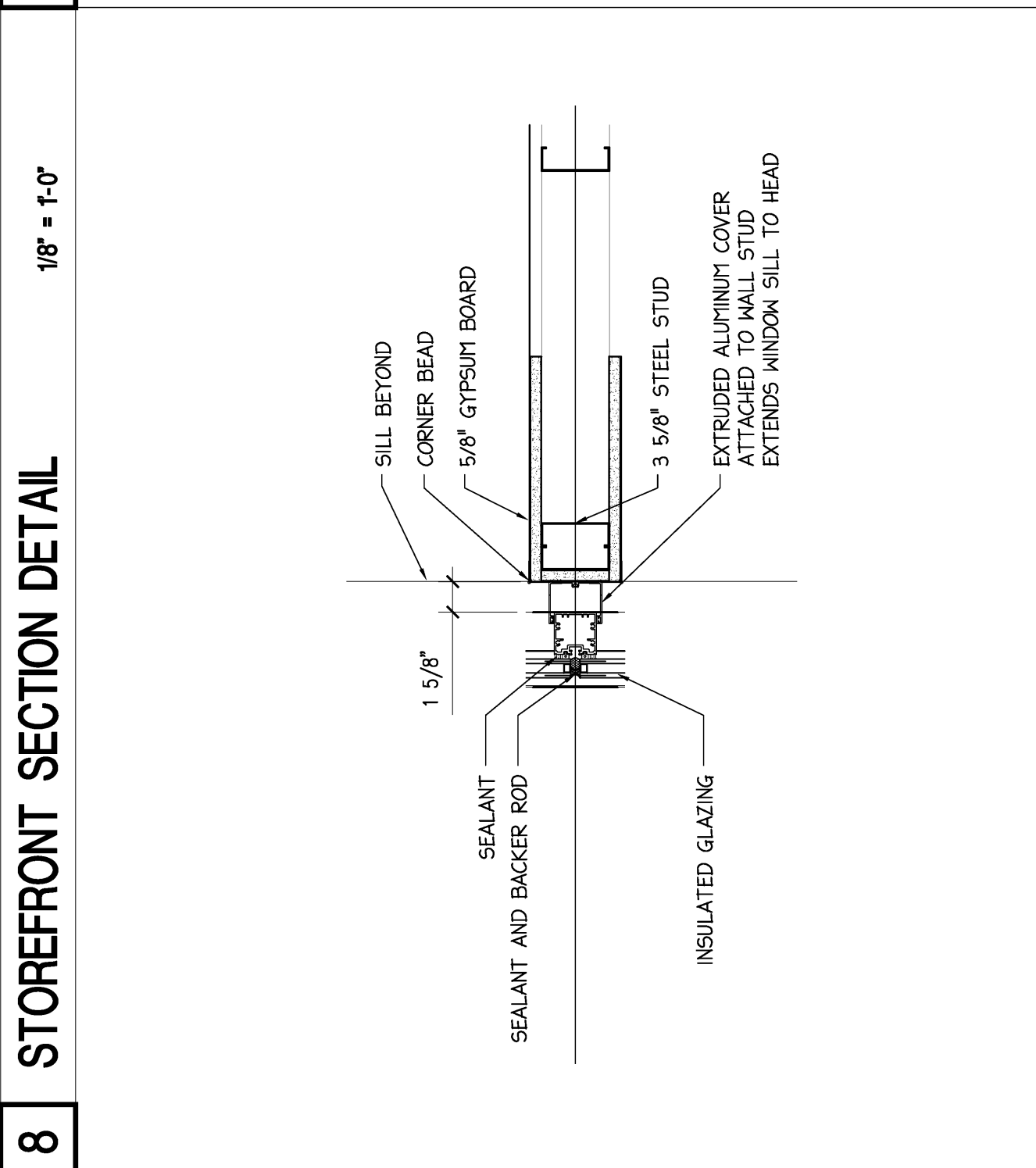
10 TYPICAL HEAD DETAIL 18\"/>



11 HEAD DETAIL AT MASONRY OPENING 18\"/>



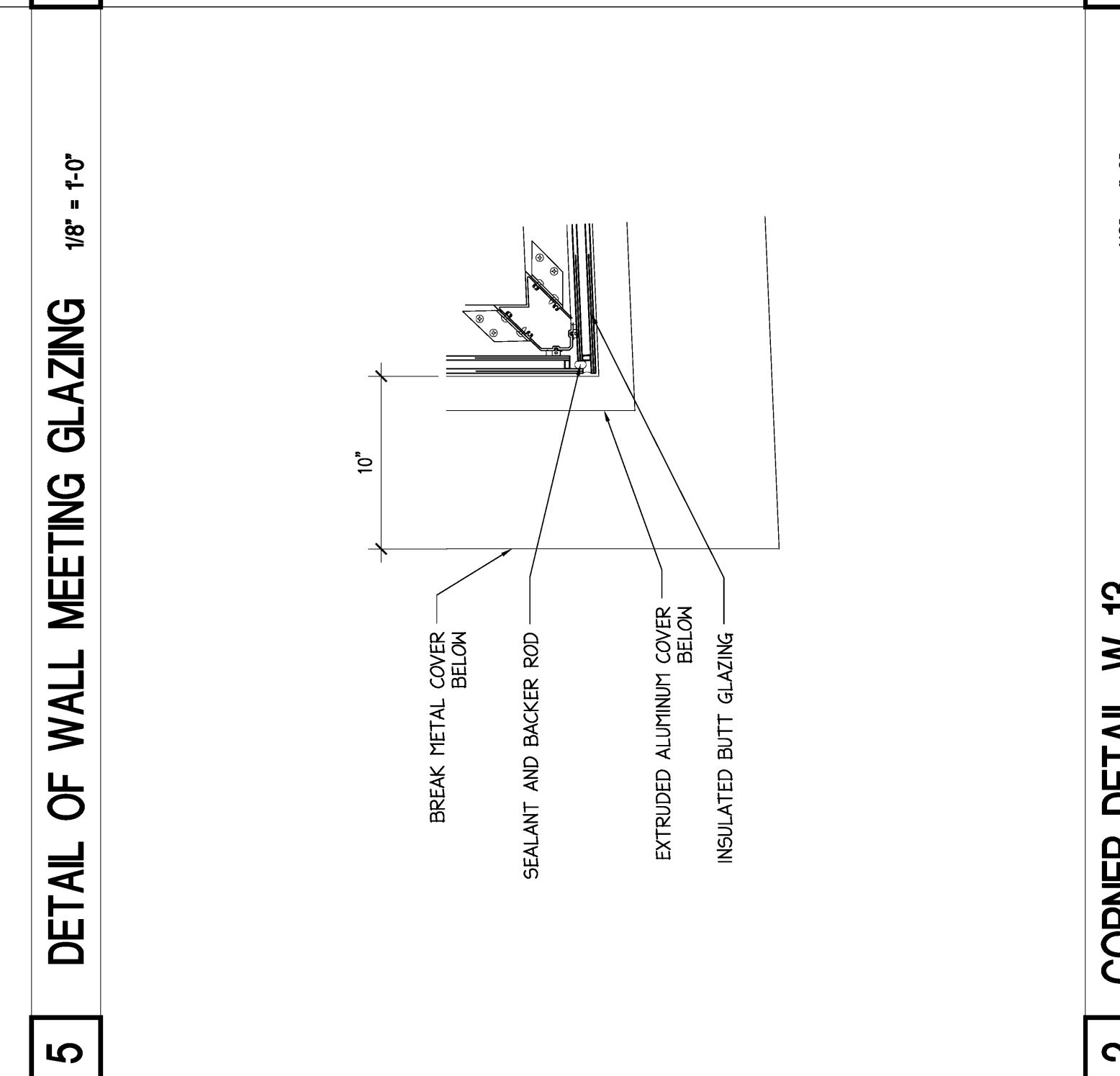
7 TYPICAL SILL DETAIL 18\"/>



8 STOREFRONT SECTION DETAIL 18\"/>



4 TYPICAL JAMB DETAIL 18\"/>



5 DETAIL OF WALL MEETING GLAZING 18\"/>



9 DETAIL W13 18\"/>



6 DETAIL W13 18\"/>



2 CORNER DETAIL W 13 18\"/>



1 TYPICAL BUTT GLAZING DETAIL 18\"/>