

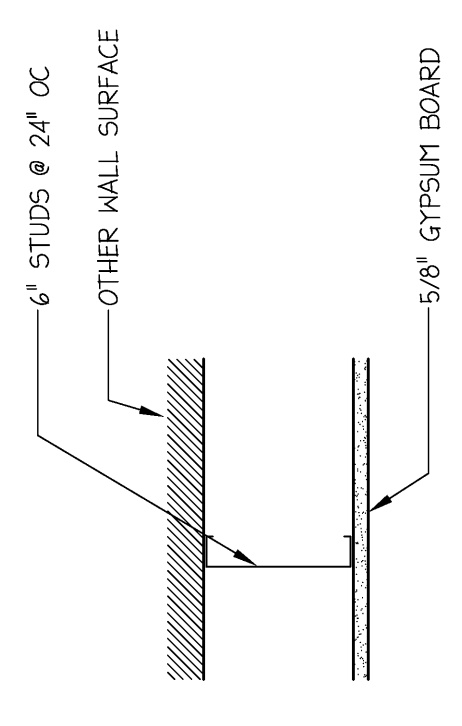
These drawings are the property of the firm and are to be used only for the project and location specified. Any reproduction, distribution, or use of these drawings without the written consent of KANN PARTNERS, INC. is strictly prohibited. All dimensions and conditions on the drawings shall be in accordance with the contract documents and shall be the responsibility of the contractor. The contractor shall verify all dimensions and conditions shown on these drawings.

HEALTH CARE FOR THE HOMELESS, INC.
HILLEN STREET & FALLSWAY
Baltimore, Maryland 21202

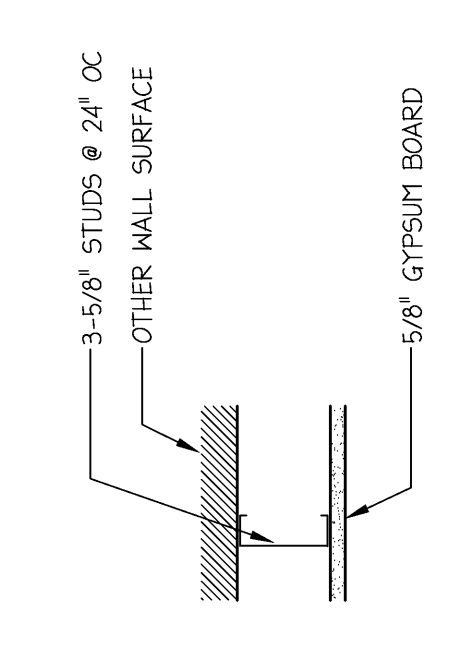
Revision Description	Date
90% CONSTRUCTION SET	07/25/08
PERMIT SET	07/26/08
LOOK-BEFORE IMPLEMENTATION	06/26/08

KANN Project Number:	06-026
SM	CS
PM	VT
© 2008 KANN PARTNERS, INC. All Rights Reserved.	

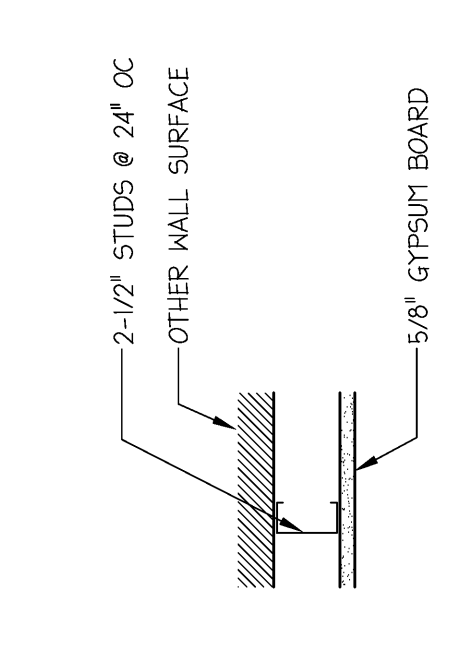
WALL TYPES



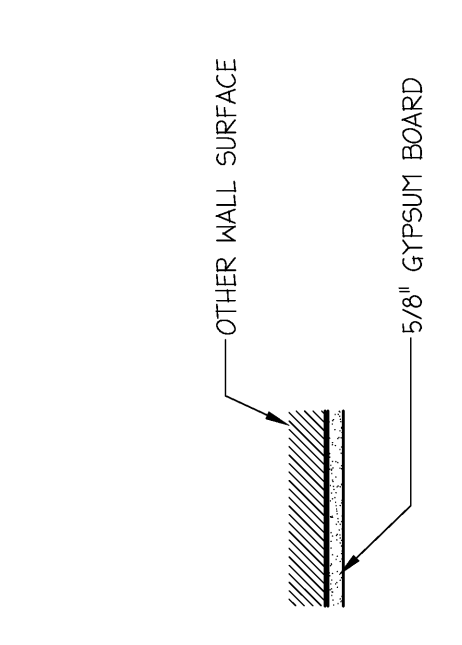
J65



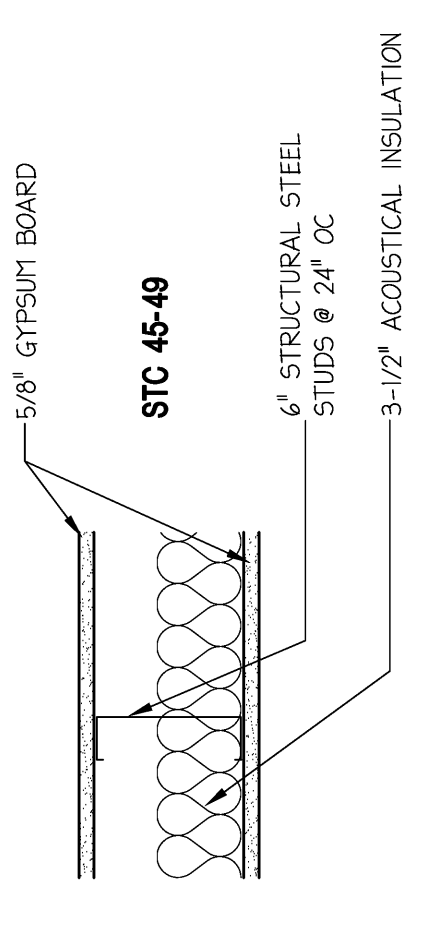
J35



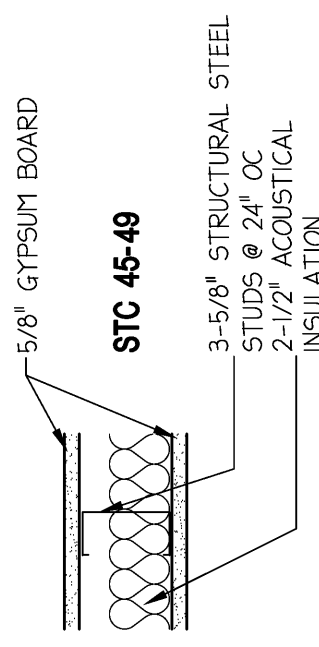
J25



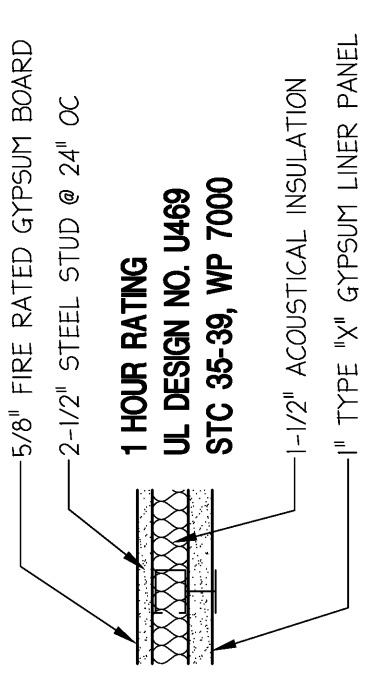
H05



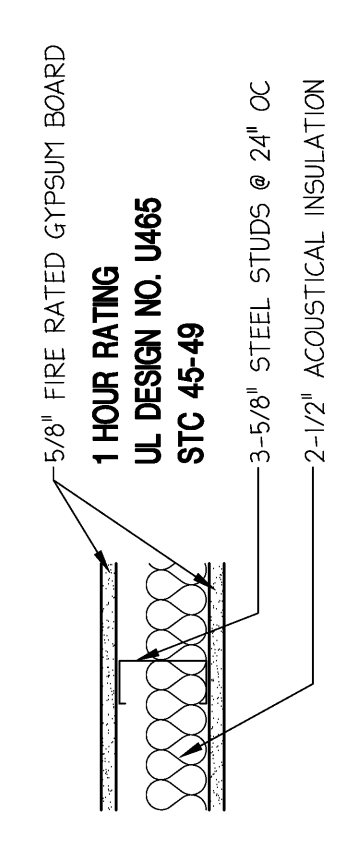
K65s



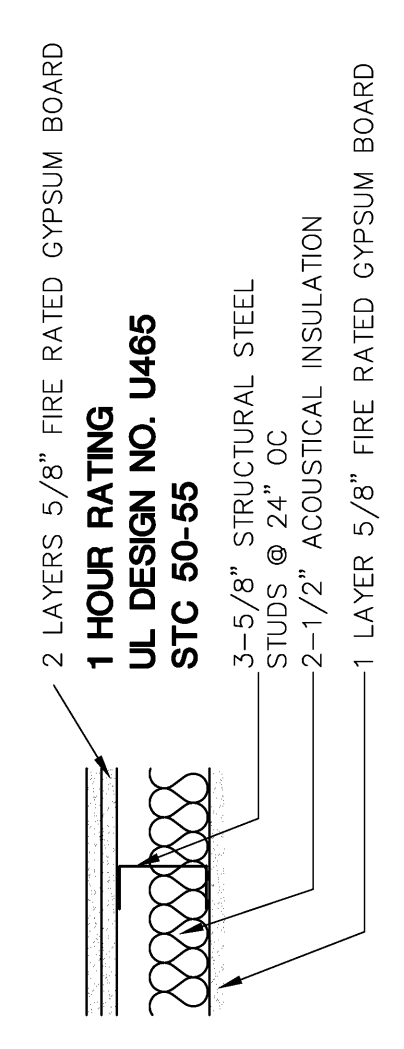
K35s



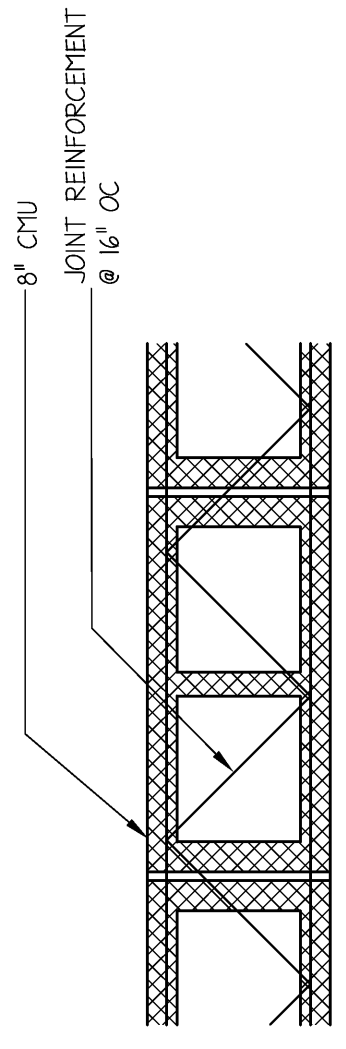
S25sF1



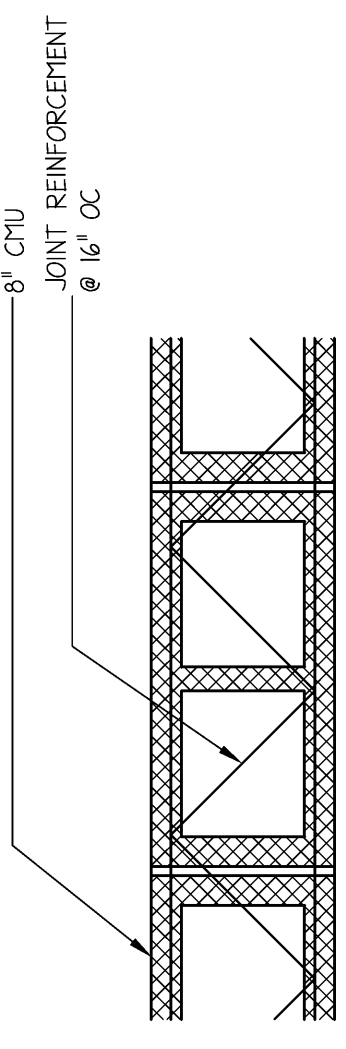
L35s



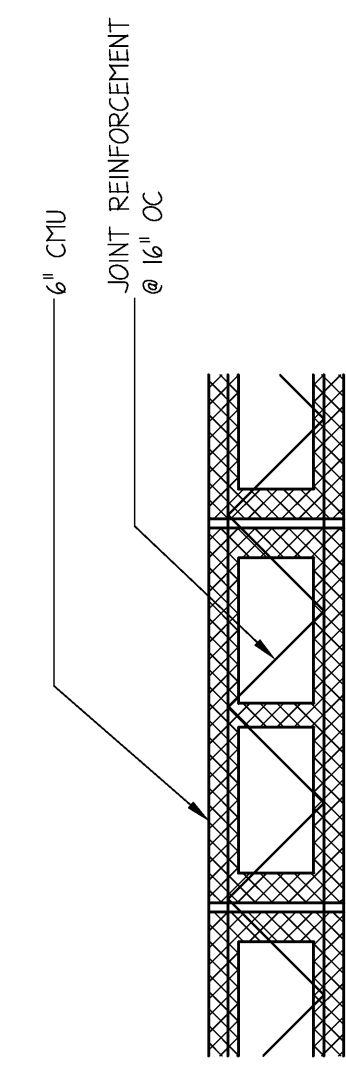
L35s^



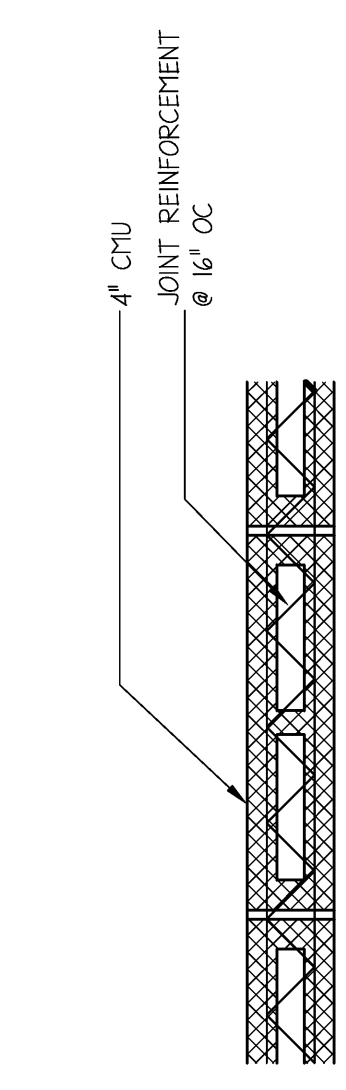
W8F1



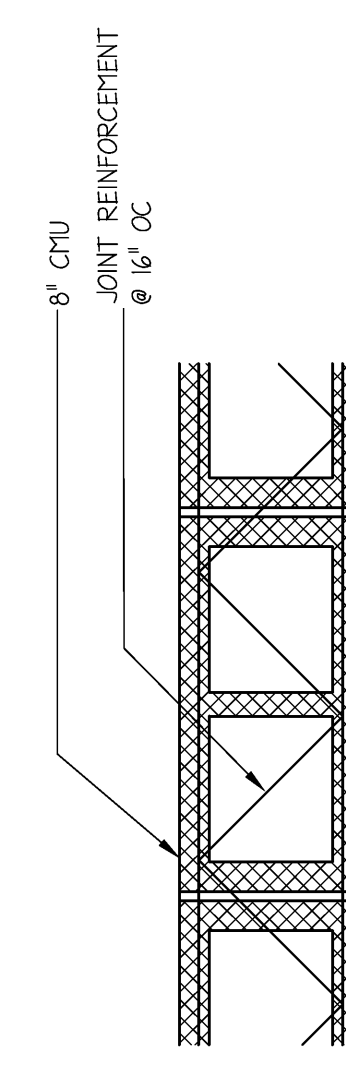
W8



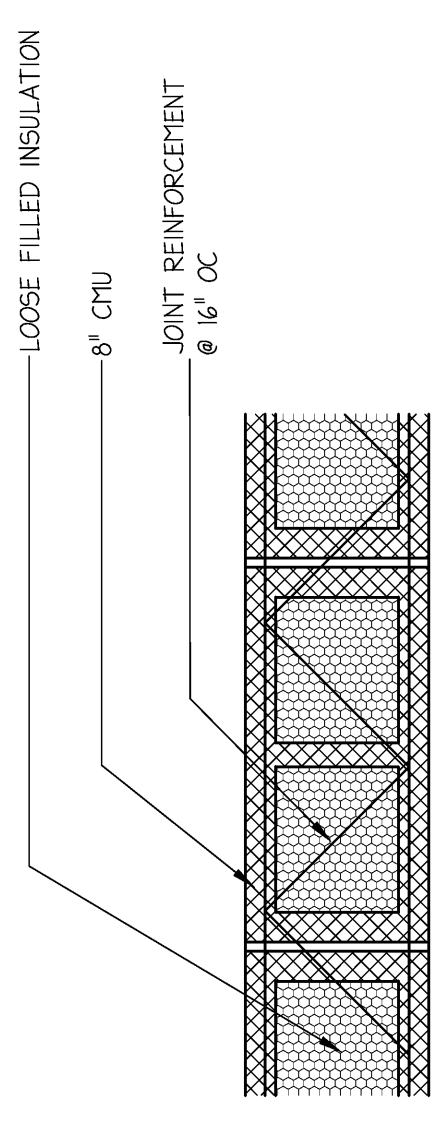
W6



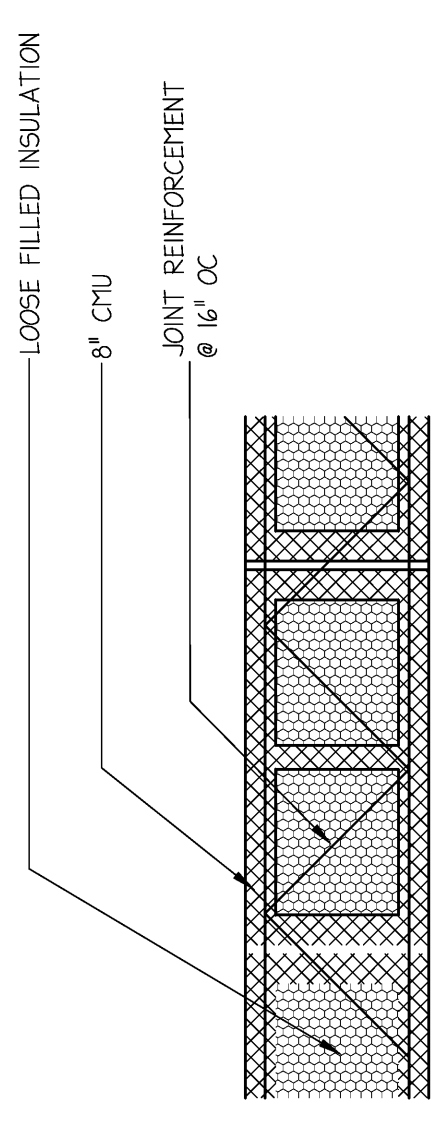
W4



W8F2



W8TF2



W8TF1

W8F3

W8F3

W8F3

W8F3

NOTE:
STC RATING TO COMPLY WITH
HPAA REQUIREMENTS

S IN THE WALL TAG REPRESENTS SOUND INSULATION REQUIREMENTS
 S IN THE WALL TAG REPRESENTS SOUND INSULATION REQUIREMENTS
 S IN THE WALL TAG REPRESENTS SOUND INSULATION REQUIREMENTS

L IN THE WALL TAG REPRESENTS LOAD BEARING WALL
 S IN THE WALL TAG REPRESENTS SOUND INSULATION REQUIREMENTS
 L IN THE WALL TAG REPRESENTS LOAD BEARING WALL
 S IN THE WALL TAG REPRESENTS SOUND INSULATION REQUIREMENTS

L IN THE WALL TAG REPRESENTS LOAD BEARING WALL
 S IN THE WALL TAG REPRESENTS SOUND INSULATION REQUIREMENTS
 L IN THE WALL TAG REPRESENTS LOAD BEARING WALL
 S IN THE WALL TAG REPRESENTS SOUND INSULATION REQUIREMENTS
 L IN THE WALL TAG REPRESENTS LOAD BEARING WALL
 S IN THE WALL TAG REPRESENTS SOUND INSULATION REQUIREMENTS