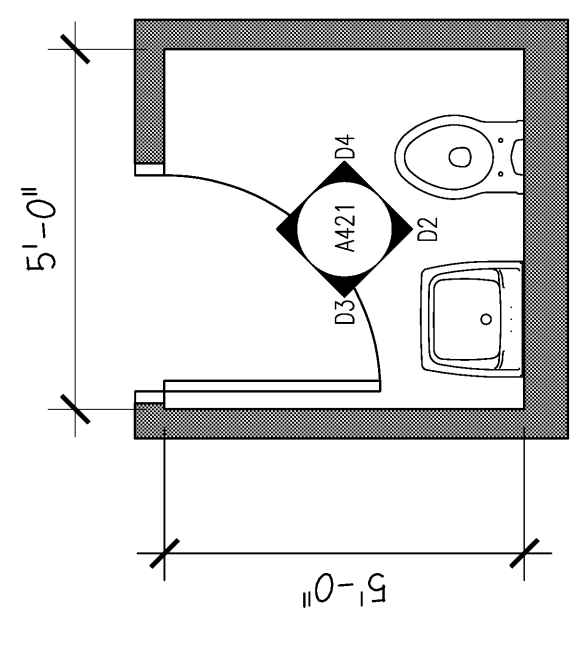
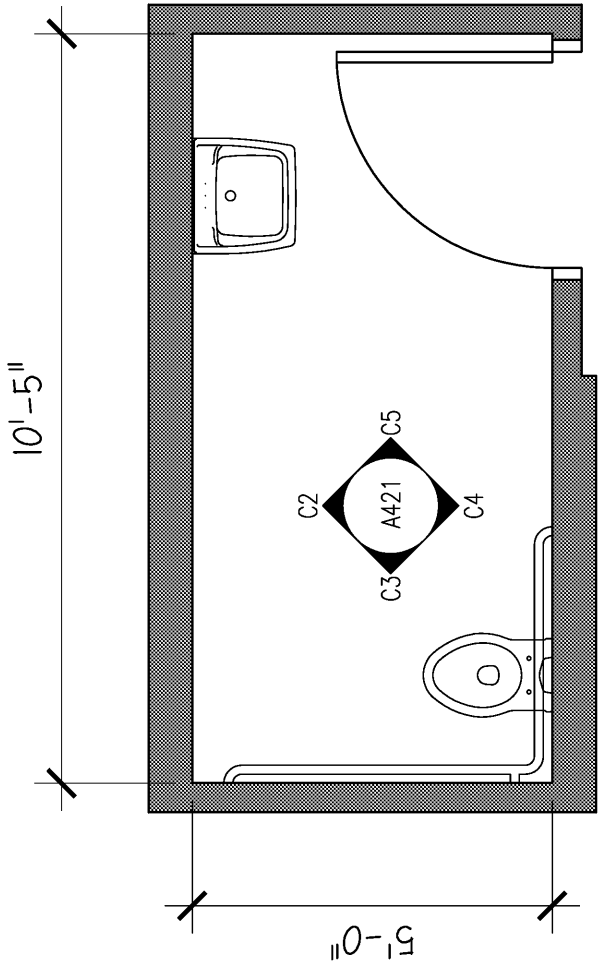


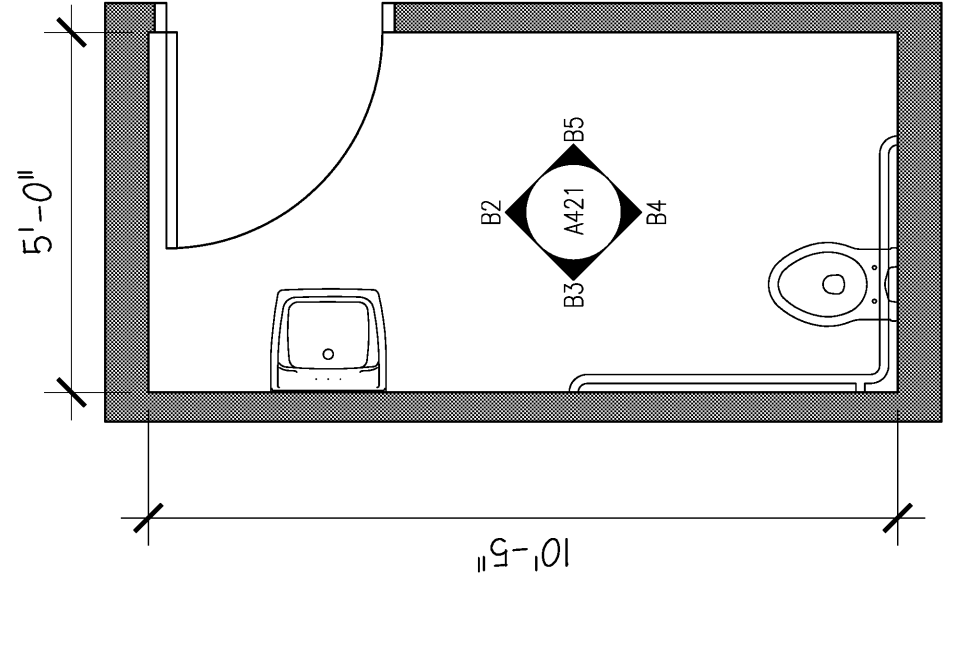
**E1 BATHROOM TYPE 04** 38'-1'-0"



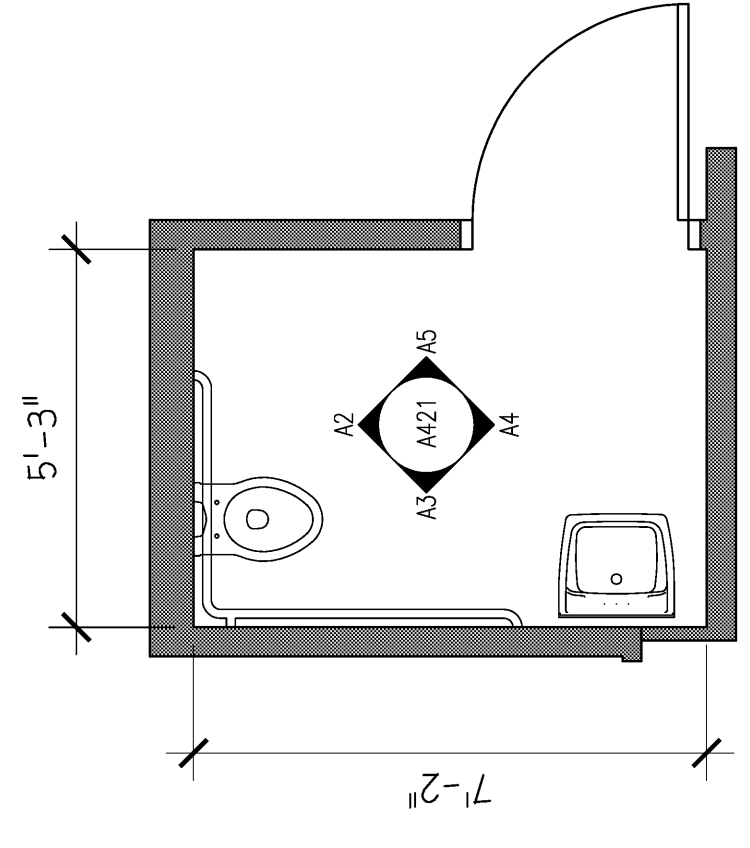
**D1 RESTROOM TYPE 03** 38'-1'-0"



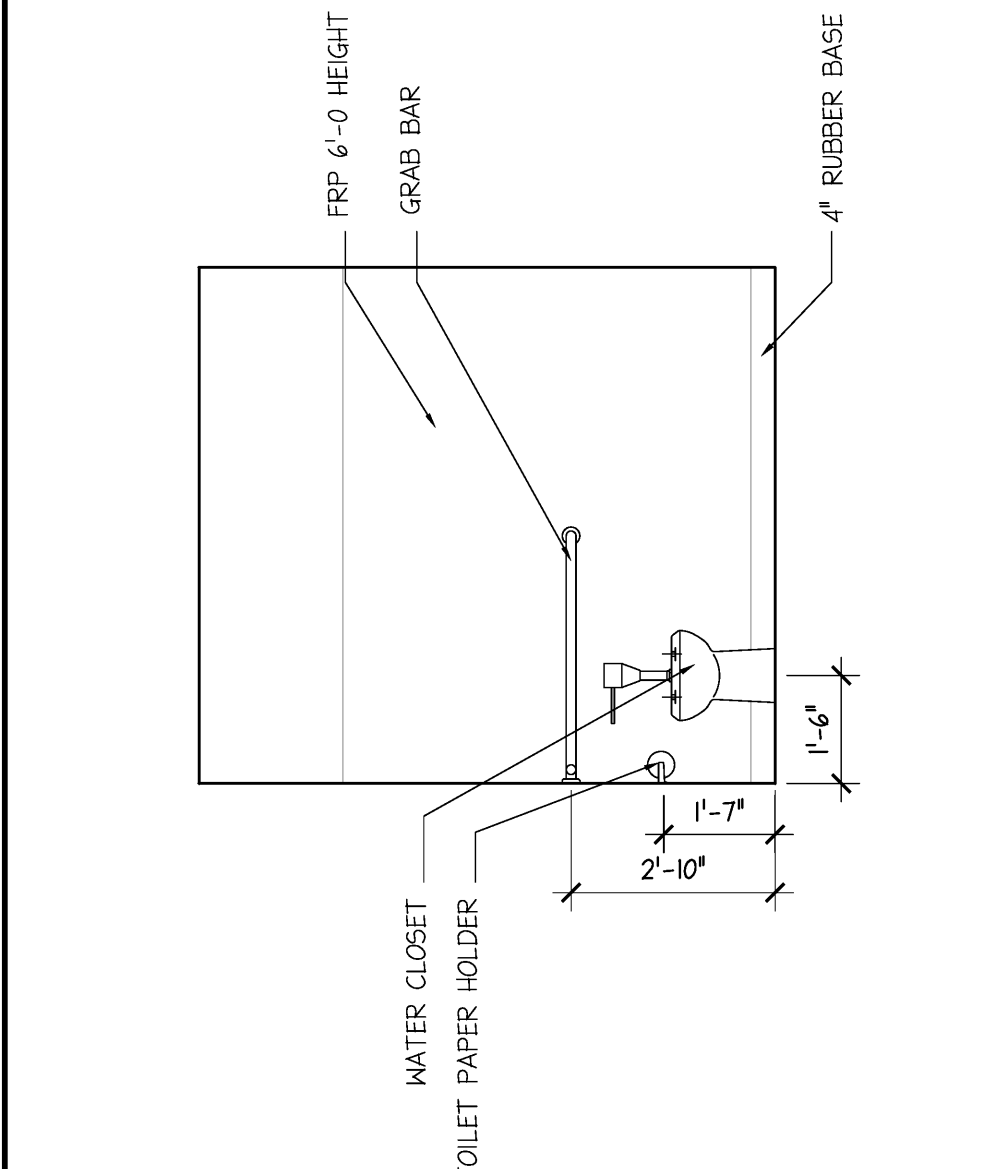
**C1 RESTROOM TYPE 02a** 38'-1'-0"



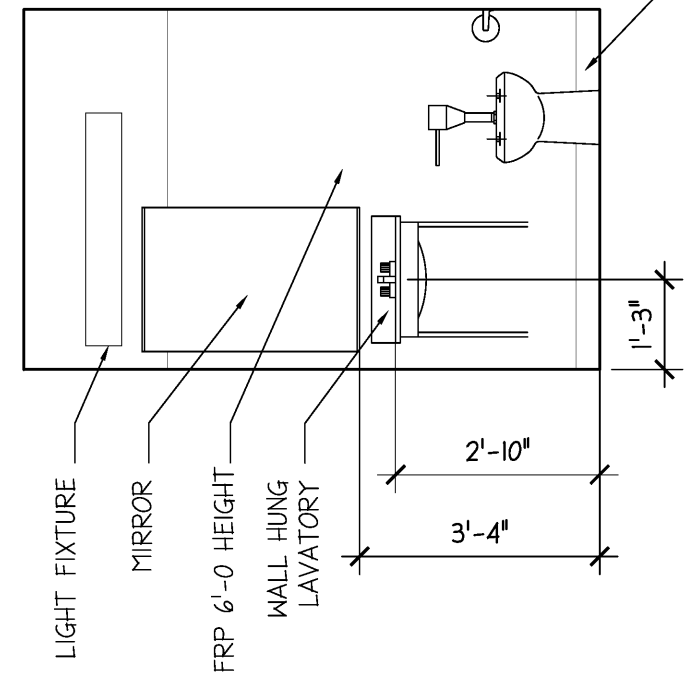
**B1 RESTROOM TYPE 02** 38'-1'-0"



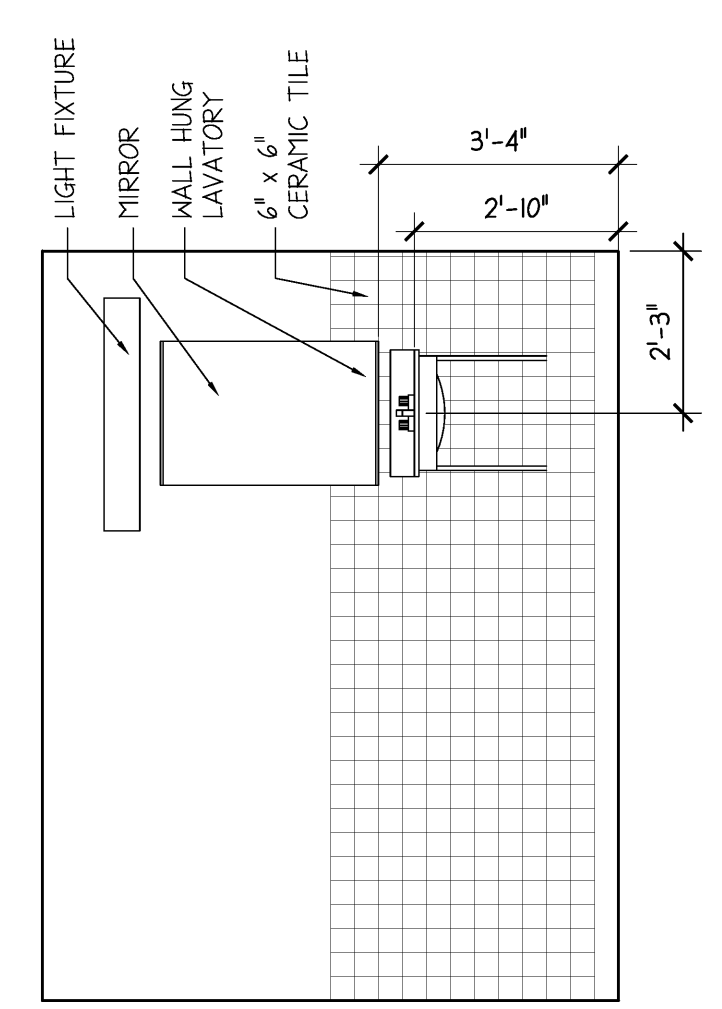
**A1 RESTROOM TYPE 01** 38'-1'-0"



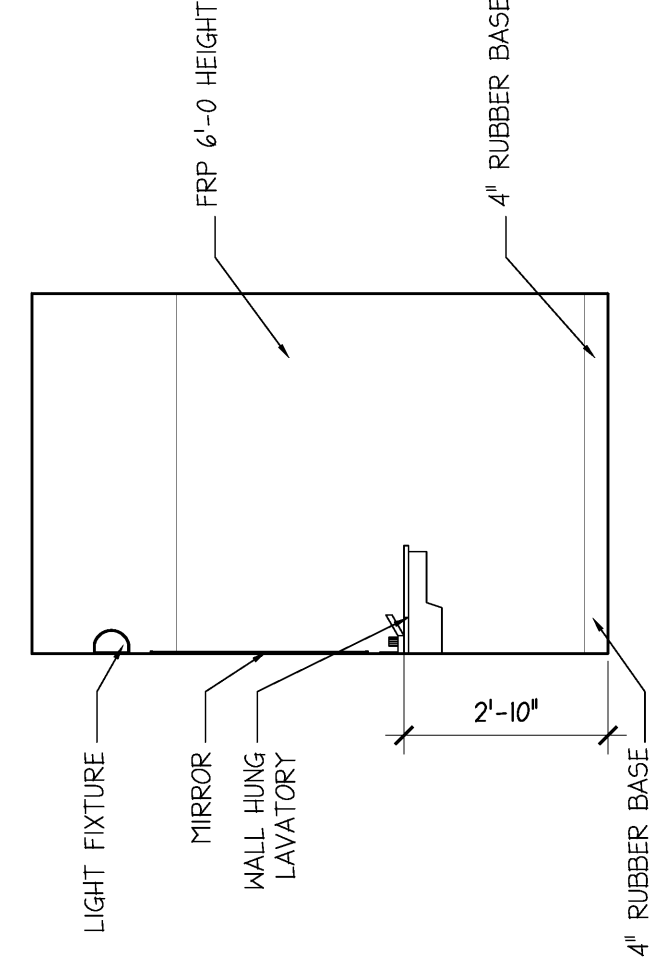
**E2 ELEVATION DETAIL** 38'-1'-0"



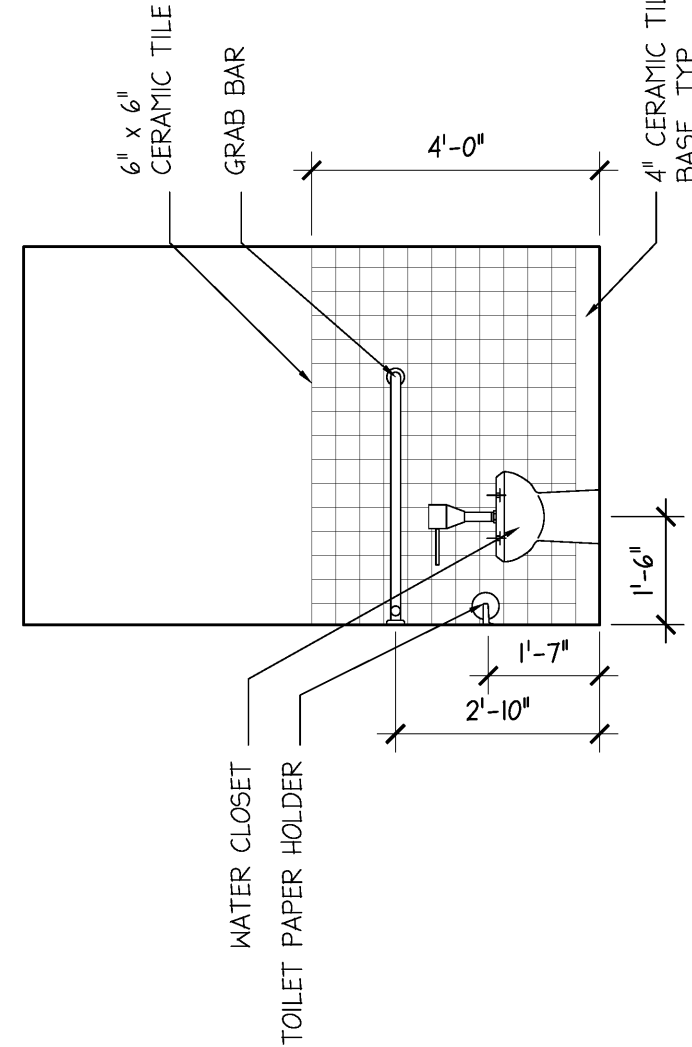
**D2 ELEVATION DETAIL** 38'-1'-0"



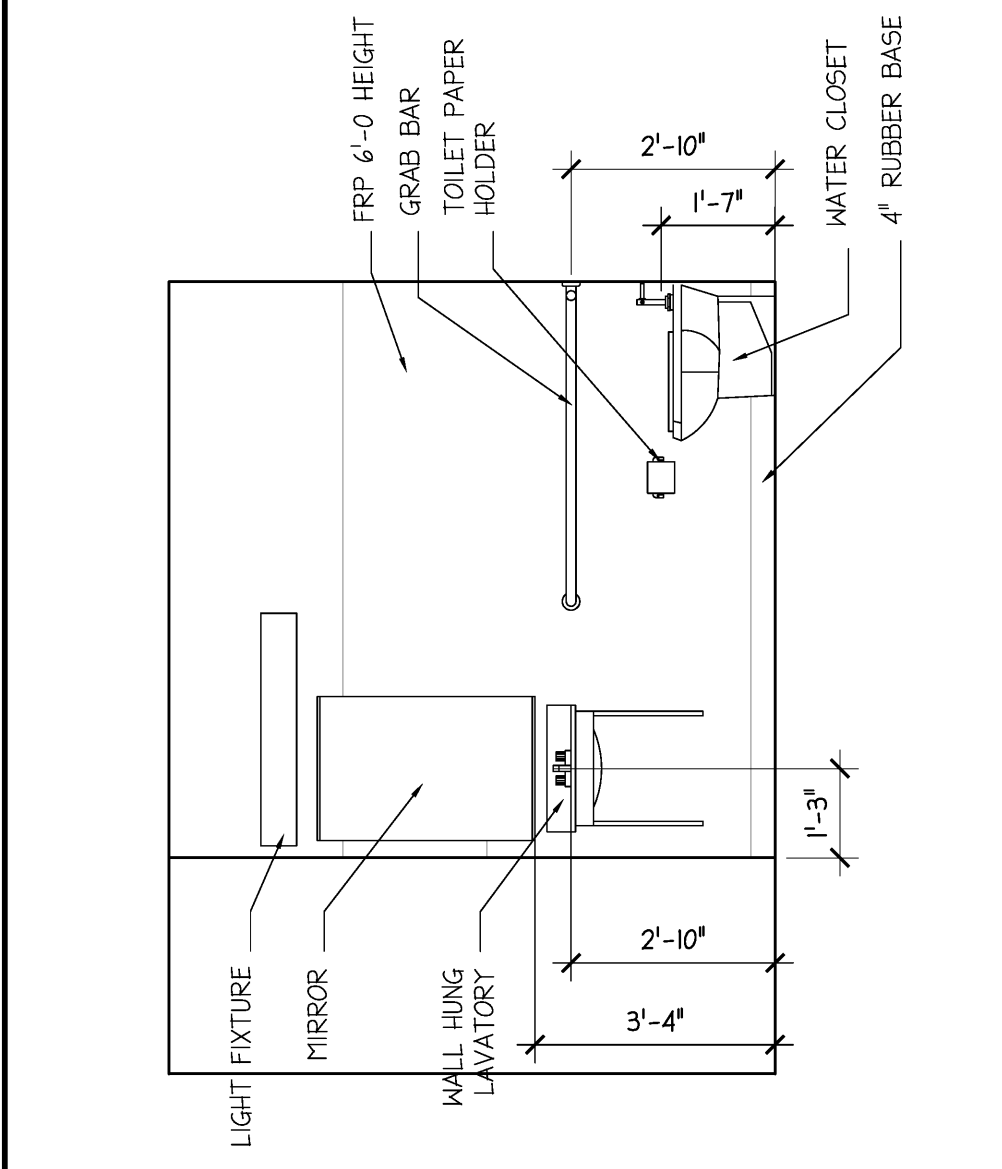
**C2 ELEVATION DETAIL** 38'-1'-0"



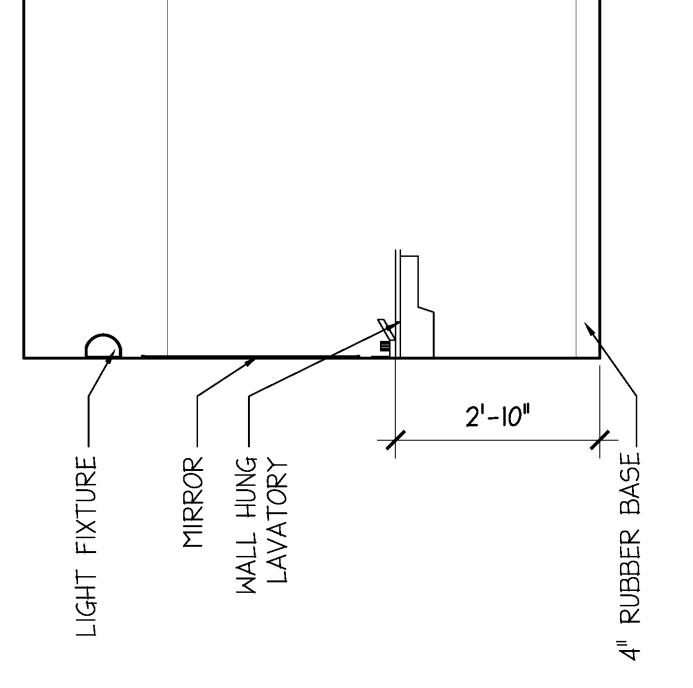
**B2 ELEVATION DETAIL** 38'-1'-0"



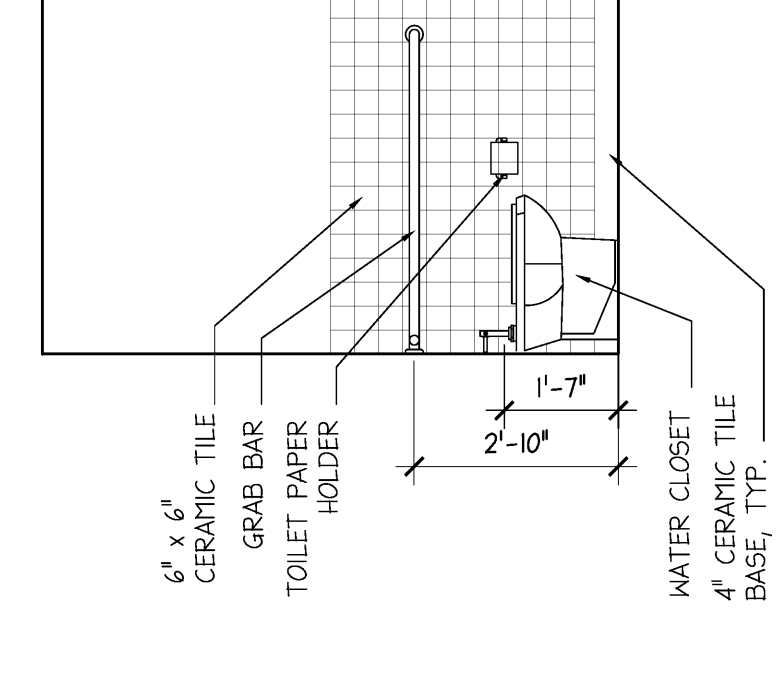
**A2 ELEVATION DETAIL** 38'-1'-0"



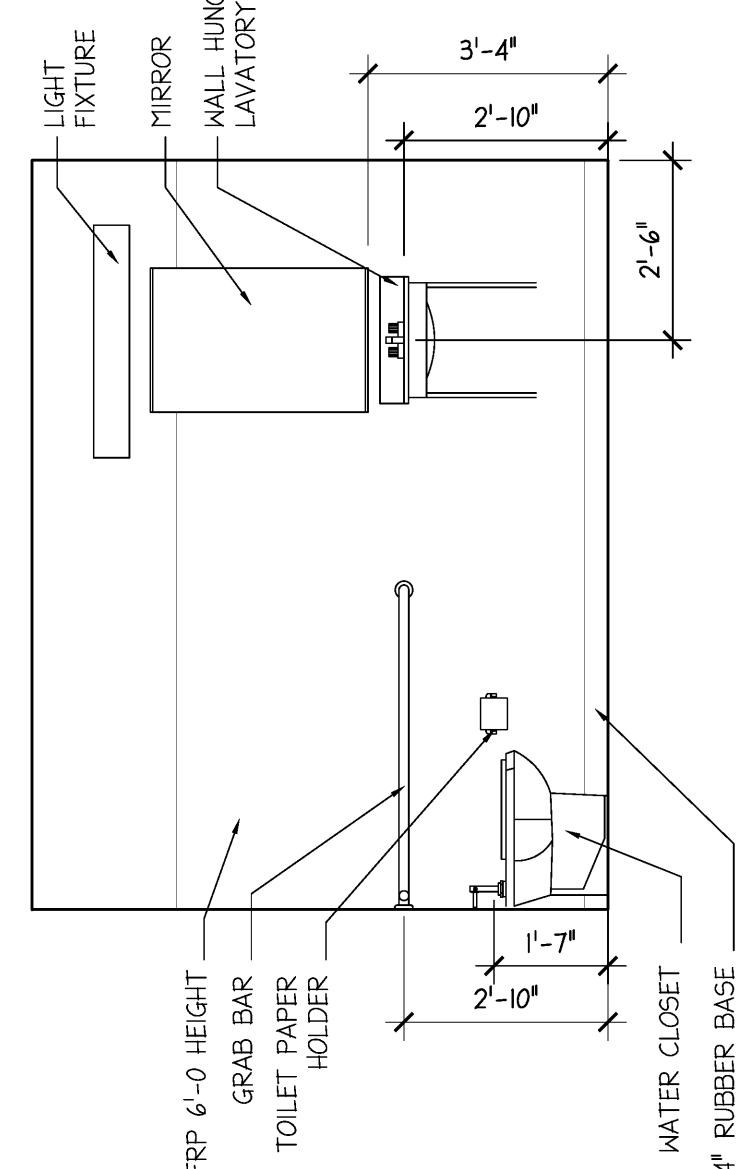
**E3 ELEVATION DETAIL** 38'-1'-0"



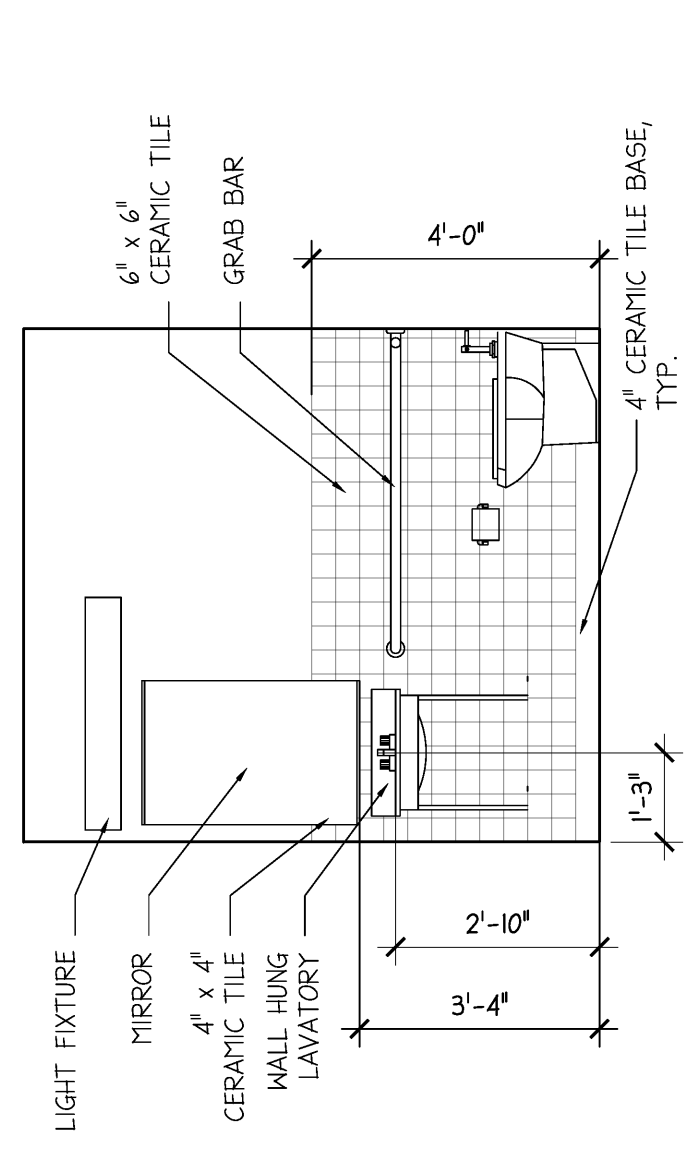
**D3 ELEVATION DETAIL** 38'-1'-0"



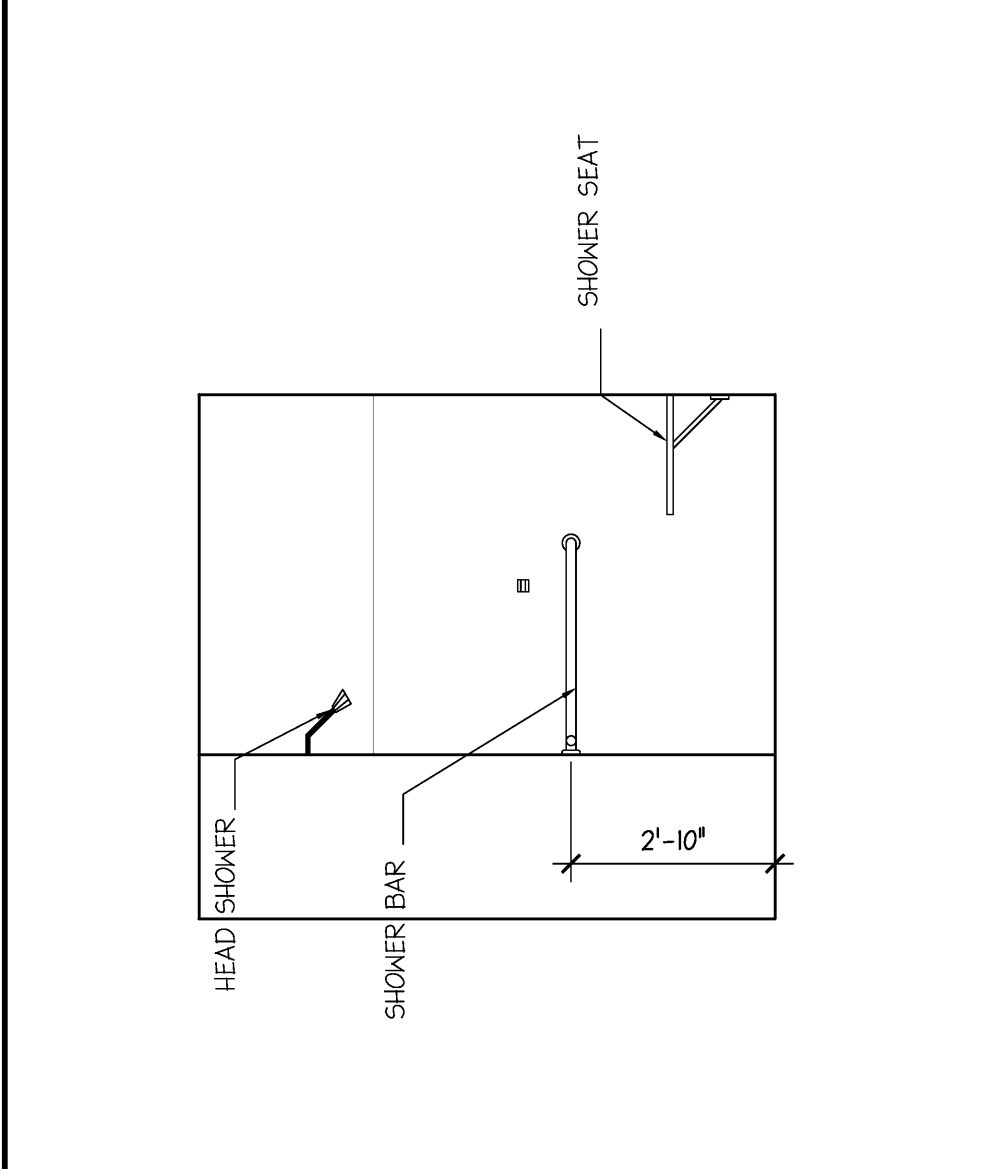
**C3 ELEVATION DETAIL** 38'-1'-0"



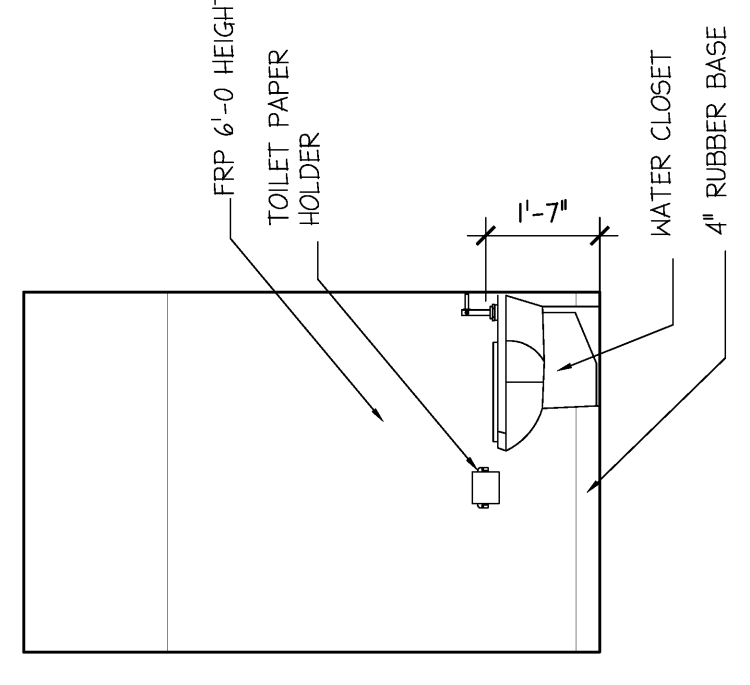
**B3 ELEVATION DETAIL** 38'-1'-0"



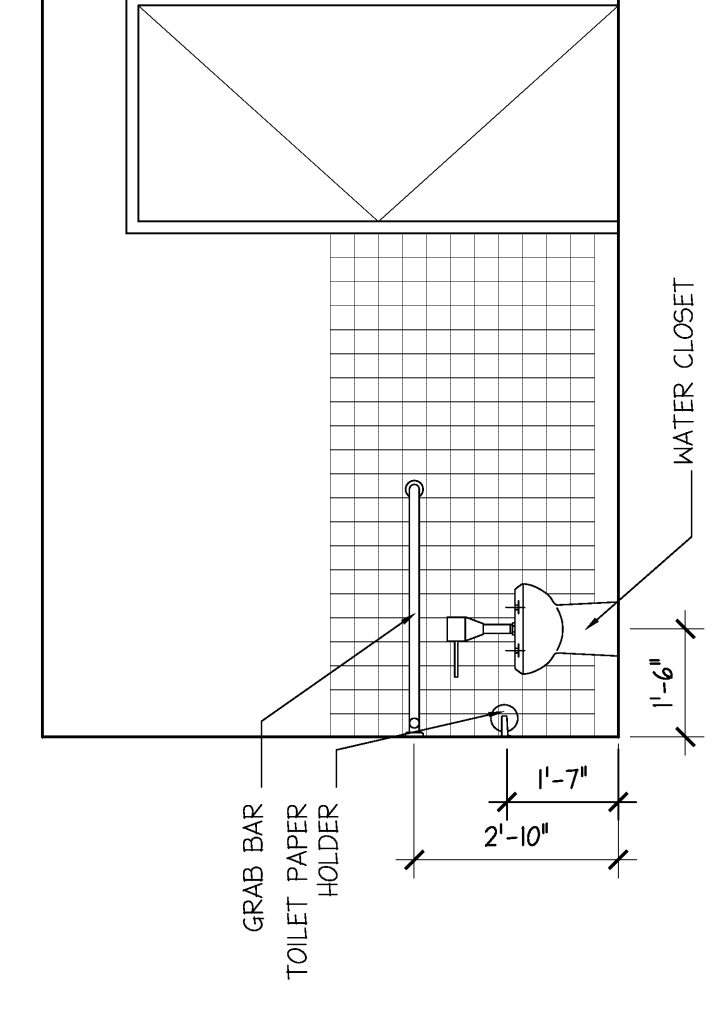
**A3 ELEVATION DETAIL** 38'-1'-0"



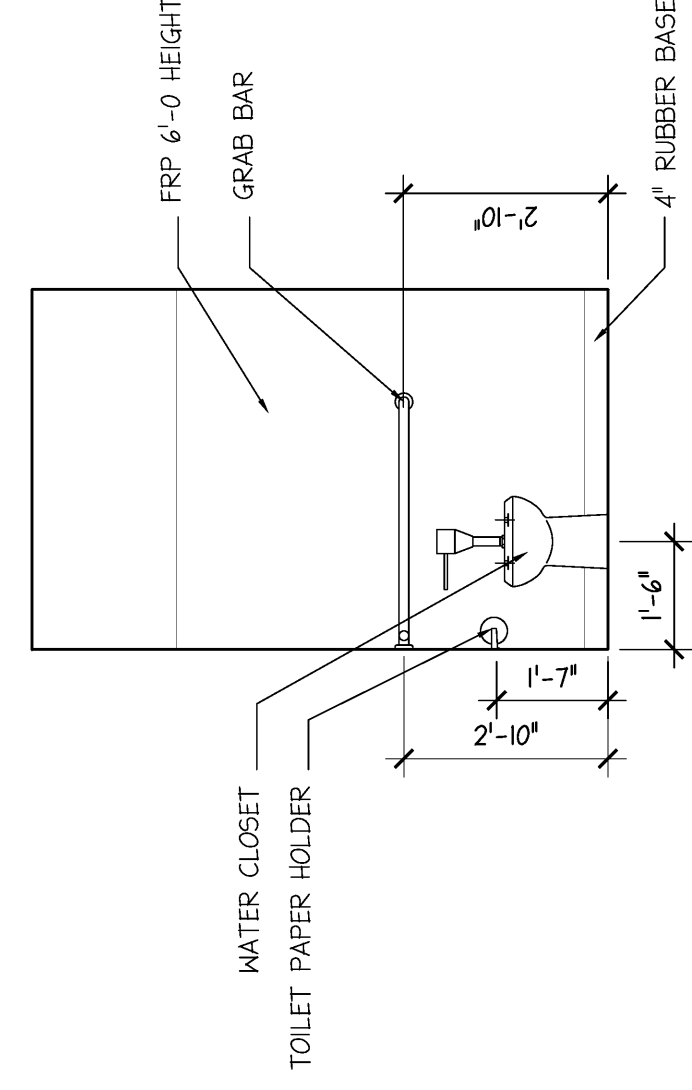
**E4 ELEVATION DETAIL** 38'-1'-0"



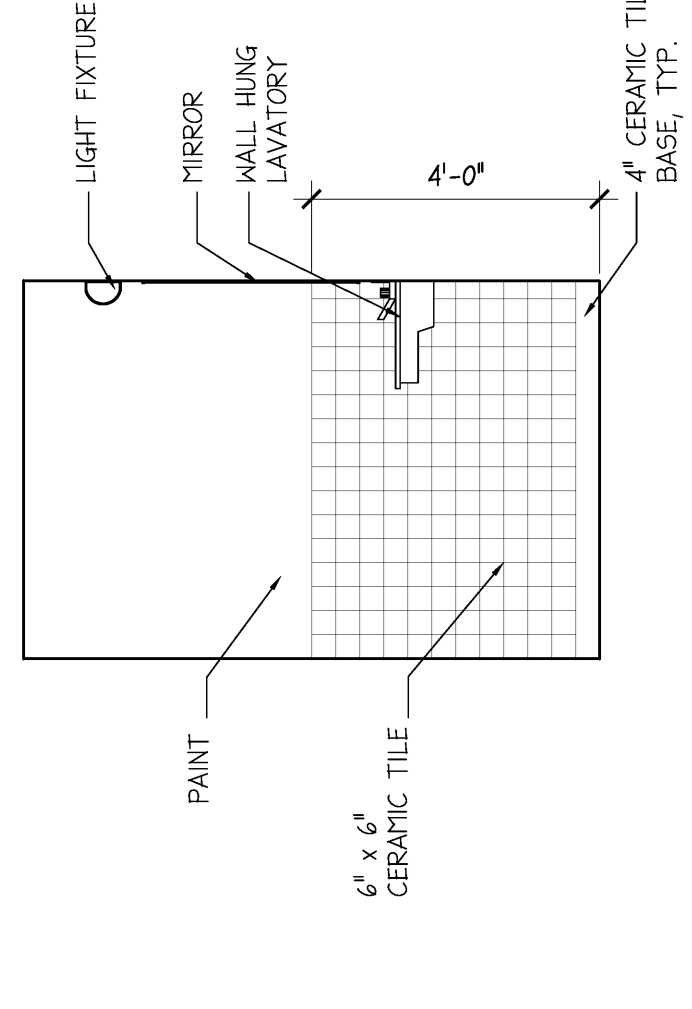
**D4 ELEVATION DETAIL** 38'-1'-0"



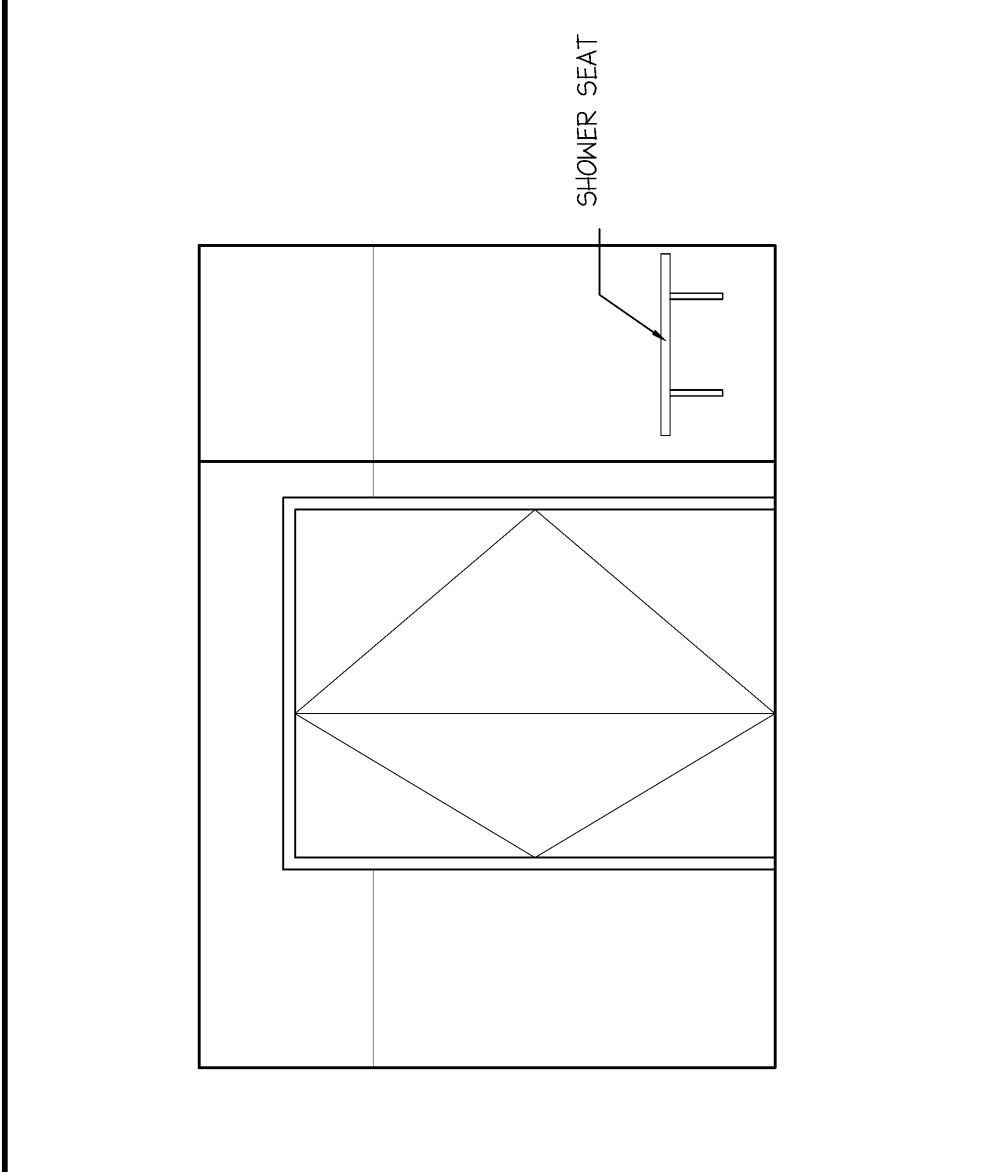
**C4 ELEVATION DETAIL** 38'-1'-0"



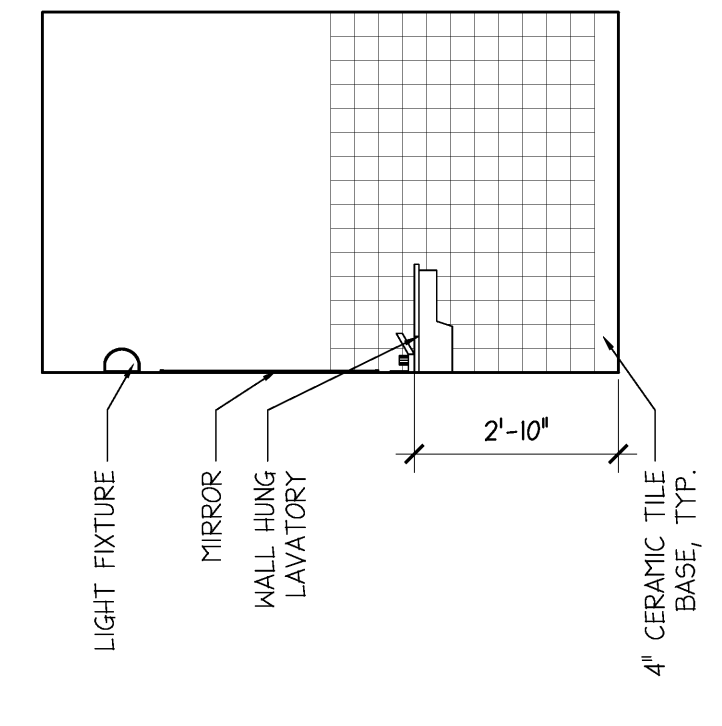
**B4 ELEVATION DETAIL** 38'-1'-0"



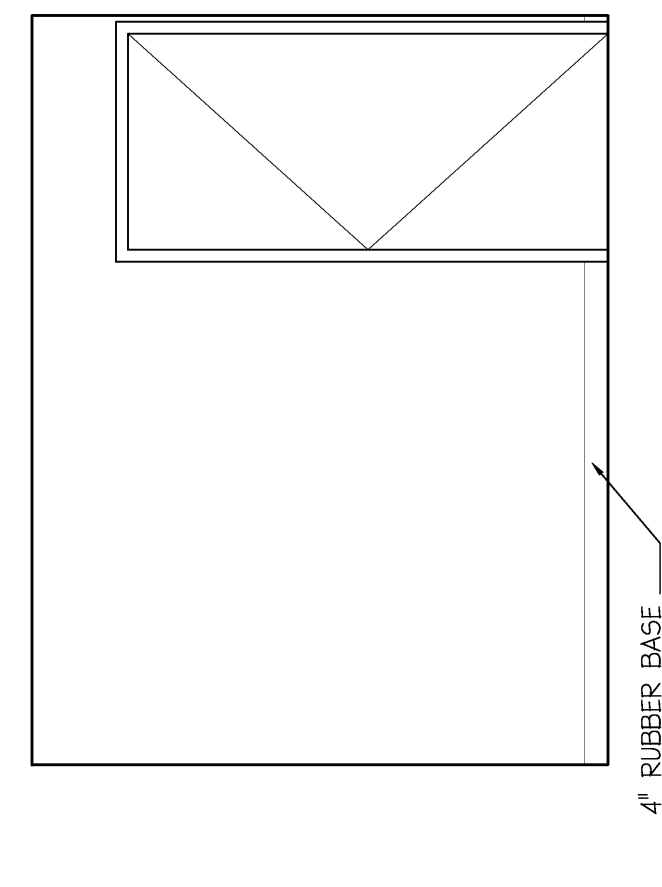
**A4 ELEVATION DETAIL** 38'-1'-0"



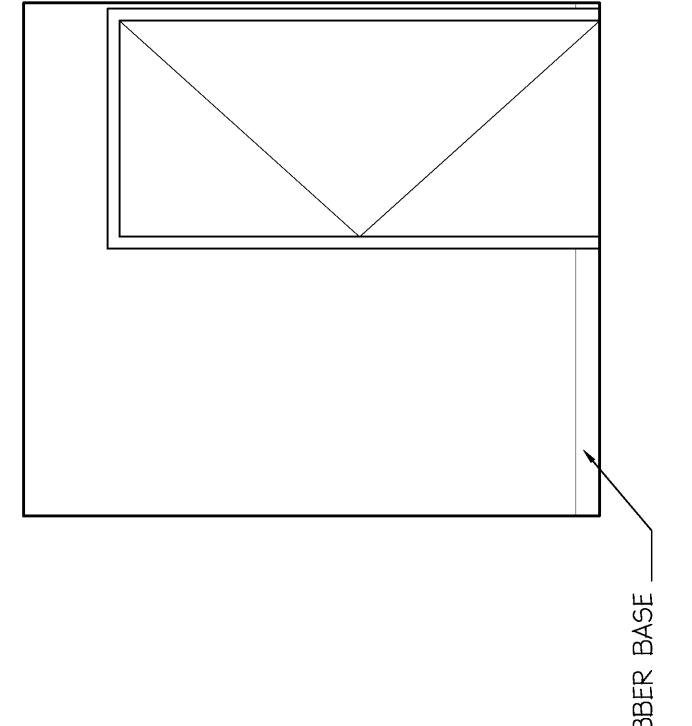
**E5 ELEVATION DETAIL** 38'-1'-0"



**C5 ELEVATION DETAIL** 38'-1'-0"



**B5 ELEVATION DETAIL** 38'-1'-0"



**A5 ELEVATION DETAIL** 38'-1'-0"

These drawings are the property of the Contractor and shall remain the property of the Contractor. No part of these drawings shall be reproduced, stored in a retrieval system, or transmitted in any form or by any means, electronic, mechanical, photocopying, recording, or by any information storage and retrieval system, without the prior written permission of the Contractor. The Contractor shall be responsible for all dimensions and conditions on the drawings. The Contractor shall be responsible for all dimensions and conditions on the drawings. The Contractor shall be responsible for all dimensions and conditions on the drawings.

**HEALTH CARE FOR THE HOMELESS, INC.**  
**NEW CLINIC & HEADQUARTERS BUILDING**  
**HILLEN STREET & FALLSWAY**  
**Baltimore, Maryland 21202**

Revision Description	Date
90% CONSTRUCTION SET	10/25/08

Sheet Title	RESTROOM DETAILS
-------------	------------------

Sheet Title	RESTROOM DETAILS
-------------	------------------