

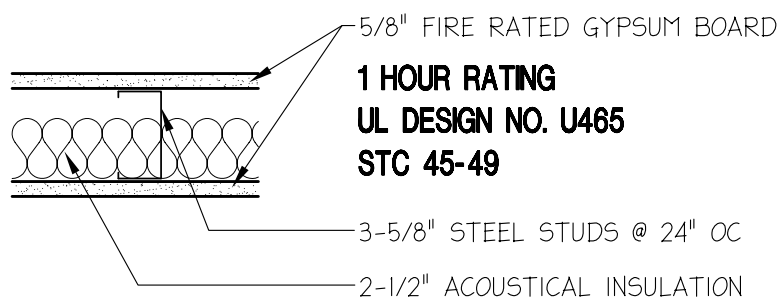
33 SOUTH GAY STREET, SUITE 400 • BALTIMORE, MD 21202



P 410-234-0900
 F 410-539-4921
 WWW.KANNPARTNERS.COM

These drawings are the property of the Architect, KANN Partners, registered trade name of Kann & Associates, Inc., a Maryland Corporation. Unauthorized reproduction for any purpose is an infringement upon copyright laws. Violators will be subject to prosecution by the fullest extent of the law.
 Written dimensions on these drawings shall have precedence over scale dimensions. Contractors shall verify and be responsible for all dimensions and conditions on the job and this office must be notified of any variation from the dimensions and conditions shown by these drawings.

**06026 HEALTHCARE FOR
 THE HOMELESS, INC.
 HILLEN STREET & FALLSWAY
 Baltimore, MD 21202**



L35s

Mark	Issue Description	Date
	100%_DD	06/16/08

KANN Project Number: 06026
 © KANN Partners registered trade name of Kann & Associates, Inc.

Sheet Title:
**WALL
 TYPES**

SK-1